
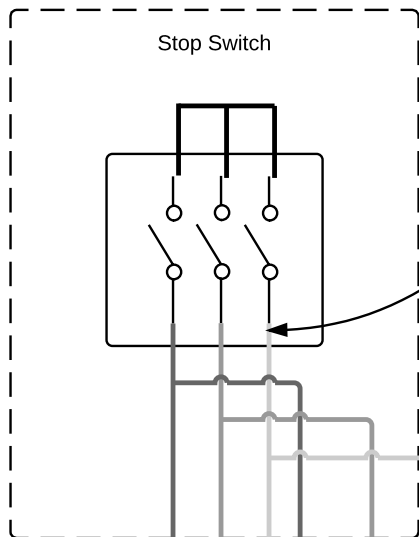


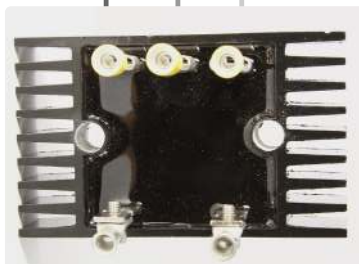
FUTUREENERGY 3 PHASE STOP SWITCH WIRING AND OPERATING INSTRUCTIONS

 Before installing the Stop Switch ensure the turbine is not rotating and generating voltage. Risk of electrical shock.



3 Phase cables from the wind turbine generator

3 Phase cables to bridge rectifier



STOP SWITCH ELECTRICAL CONNECTIONS



The Stop Switch operates by shorting the turbine generator. Only use this switch with a Futureenergy 1 KW wind turbine and a Futureenergy bridge rectifier

To stop the turbine turn the stop switch brake to the **ON** position. To restart the turbine turn the stop switch brake to the **OFF** position.

