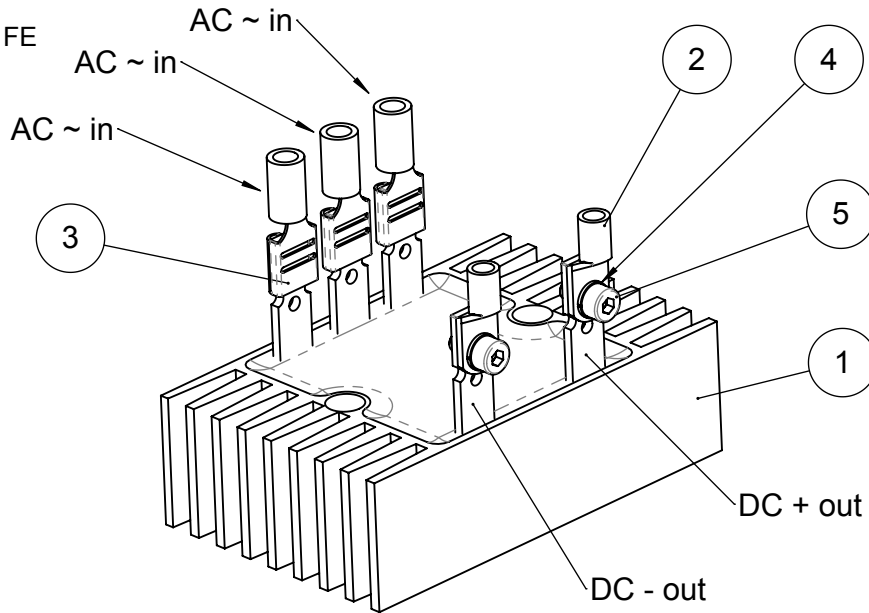
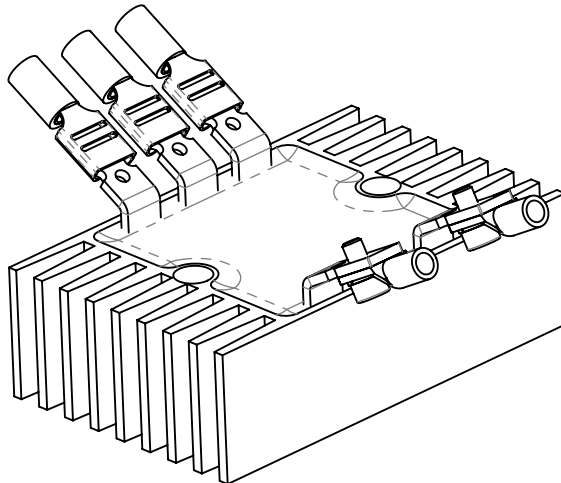


Assembly Parts List - REC02		
Item No.	Description	Default/QTY.
1	100A Bridge Rectifier	1
2	Screw type cable connector	2
3	Push-fit cable connector	3
4	M4 Spring washer	2
5	M4 x 8 Hex socket cap screw, Zinc plated	2

This side takes the 3 output wires from the FE PMG - in any order.



Note. Rectifier terminals are bent when fitted to the FE wind turbine.



DIMENSIONS ARE IN MM

TOLERANCES:  
 ANGULAR: MACH  $\pm 0.5^\circ$  BEND  $\pm 1^\circ$   
 NO DECIMAL  $\pm 1.5\text{mm}$   
 ONE PLACE DECIMAL  $\pm 0.5$   
 TWO PLACE DECIMAL  $\pm 0.05$

MATERIAL

FINISH

DO NOT SCALE DRAWING

NAME	DATE
DRAWN	
CHECKED	
ENG APPR.	
MFG APPR.	

COMMENTS:

THE INFORMATION CONTAINED IN THIS DRAWING IS THE SOLE PROPERTY OF FUTUREENERGY LIMITED. ANY REPRODUCTION IN PART OR AS A WHOLE WITHOUT THE WRITTEN PERMISSION OF FUTUREENERGY LIMITED IS PROHIBITED.

**FUTUREENERGY** Ettington Park Business Centre  
 Stratford upon Avon  
 CV37 8BT

TEL:+44 (0)1789 451203 FAX:+44 (0)1789 450916 www.futureenergy.co.uk

TITLE: Assembly, 100A Bridge rectifier kit

SIZE	DWG. NO.	REV.
<b>A4</b>	A0062	<b>A</b>
SCALE: 1:1.5WEIGHT: Kgs		20/07/2011 SHEET 1 OF 1